

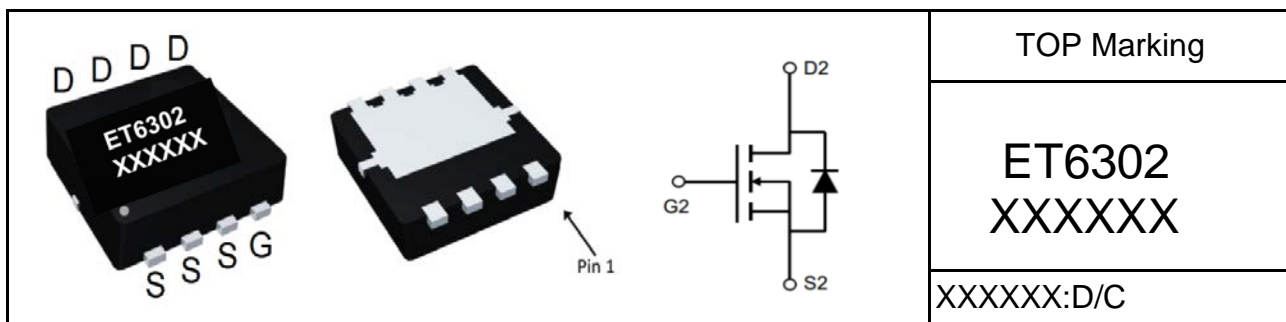
### N-Channel High Density Trench MOSFET (30V, 50A)

#### PRODUCT SUMMARY

$V_{DSS}$	$I_D$	$R_{DS(on)}$ (m $\Omega$ ) Typ
30V	50	5 @ $V_{GS} = 10V, I_D=10A$
		9 @ $V_{GS} = 4.5V, I_D=8A$

#### Features

- Super high density cell design for extremely low RDS(ON)
- Exceptional on-resistance and maximum DC current capability
- Lead (Pb) -free and halogen-free



#### Absolute Maximum Ratings ( $T_A=25^\circ C$ , unless otherwise noted)

Symbol	Parameter	Ratings	Units
$V_{DS}$	Drain-Source Voltage	30	V
$V_{GS}$	Gate-Source Voltage	$\pm 20$	V
$I_D$	Drain Current (Continuous) @ $T_A=25^\circ C$	50	A
	Drain Current (Continuous) @ $T_A=75^\circ C$	31	A
$I_{DM}$	Drain Current (Pulsed) <sup>a</sup>	200	A
$P_D$	Total Power Dissipation @ $T_A=25^\circ C$	30	W
	Total Power Dissipation @ $T_A=75^\circ C$	15	W
EAS	Avalanche energy, single pulsed <sup>b</sup>	25	mj
$I_S$	Maximum Diode Forward Current	50	A
$T_j, T_{stg}$	Operating Junction and Storage Temperature Range	-55 to +150	$^\circ C$
$R_{QJA}$	Thermal Resistance Junction to Ambient (PCB mounted) <sup>c</sup>	35	$^\circ C/W$

a: Repetitive Rating: Pulse width limited by the maximum junction temperature.

b: Limited by  $T_{Jmax}$ , starting  $T_J = 25^\circ C$ ,  $L = 0.5mH, R_G = 25\Omega, I_{AS} = 10A, V_{GS} = 10V$ . Part not recommended for use above this value

c: 1-in2 2oz Cu PCB board

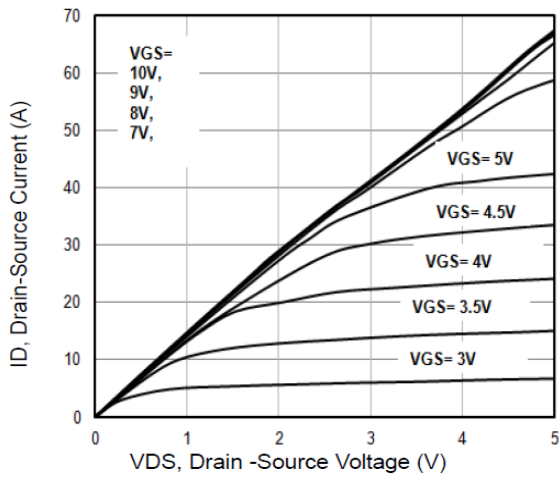


### Electrical Characteristics (T<sub>A</sub>=25°C, unless otherwise noted)

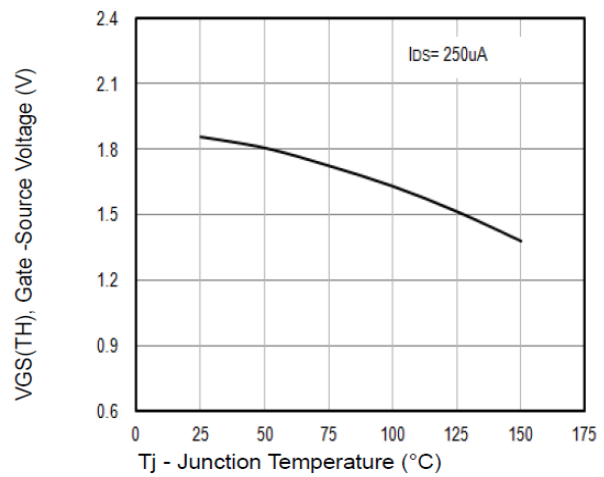
Symbol	Characteristic	Test Conditions	Min.	Typ.	Max.	Unit
<b>• Off Characteristics</b>						
BV <sub>DSS</sub>	Drain-Source Breakdown Voltage	V <sub>GS</sub> =0V, I <sub>D</sub> =250uA	30	-	-	V
I <sub>DSS</sub>	Zero Gate Voltage Drain Current (T <sub>j</sub> =25°C)	V <sub>DS</sub> =30V, V <sub>GS</sub> =0V	0	-	1	μA
	Zero Gate Voltage Drain Current (T <sub>j</sub> =125°C)	V <sub>DS</sub> =30V, V <sub>GS</sub> =0V	0	-	100	μA
I <sub>GSS</sub>	Gate-Body Leakage Current	V <sub>GS</sub> =±20V, V <sub>DS</sub> =0V	-	-	±100	nA
<b>• On Characteristics</b>						
V <sub>GS(th)</sub>	Gate Threshold Voltage	V <sub>DS</sub> =V <sub>GS</sub> , I <sub>D</sub> =250uA	1.0	1.8	2.4	V
R <sub>DS(on)</sub>	Drain-Source On-State Resistance	V <sub>GS</sub> =10V, I <sub>D</sub> =10A	-	5	7	mΩ
		V <sub>GS</sub> =4.5V, I <sub>D</sub> =8A	-	9	11	
<b>• Dynamic Characteristics</b>						
C <sub>iss</sub>	Input Capacitance	V <sub>DS</sub> =15V, V <sub>GS</sub> =0V, f=1MHz	-	1110	-	PF
C <sub>oss</sub>	Output Capacitance		-	180	-	
C <sub>rss</sub>	Reverse Transfer Capacitance		-	130	-	
<b>• Switching Characteristics</b>						
Q <sub>g</sub>	Total Gate Charge	V <sub>DS</sub> =15V, I <sub>D</sub> =6.9A, V <sub>GS</sub> =10V	-	23	-	nC
Q <sub>gs</sub>	Gate-Source Charge		-	6.2	-	
Q <sub>gd</sub>	Gate-Drain Charge		-	8.9	-	
t <sub>d(on)</sub>	Turn-on Delay Time	V <sub>DD</sub> =15V, R <sub>L</sub> =15Ω, I <sub>D</sub> =1A, V <sub>GEN</sub> =10V, R <sub>G</sub> =6Ω	-	14	-	nS
t <sub>r</sub>	Turn-on Rise Time		-	27	-	
t <sub>d(off)</sub>	Turn-off Delay Time		-	65	-	
t <sub>f</sub>	Turn-off Fall Time		-	19	-	
<b>• Drain-Source Diode Characteristics</b>						
V <sub>SD</sub>	Drain-Source Diode Forward	V <sub>GS</sub> =0V, I <sub>S</sub> =15A	-	0.84	1.2	V

Note: Pulse Test: Pulse Width ≤ 300us, Duty Cycle ≤ 2%

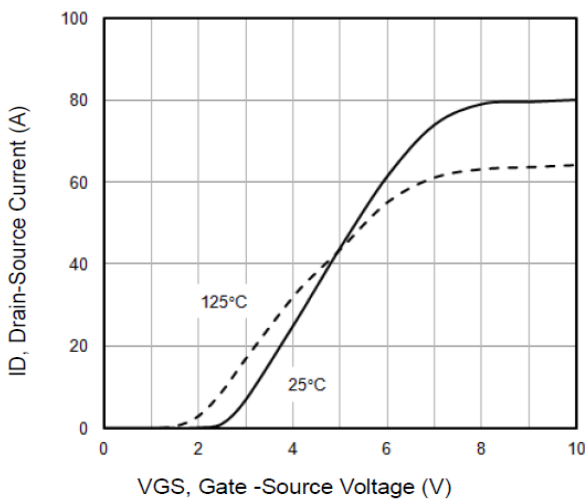
## Typical Characteristics Curves (Ta=25°C, unless otherwise note)



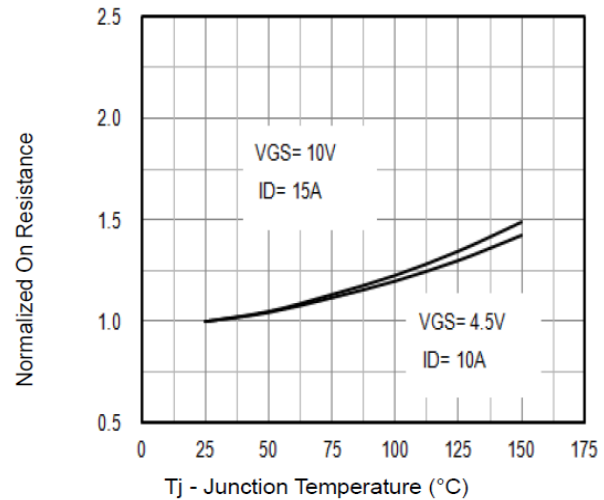
**Fig1.** Typical Output Characteristics



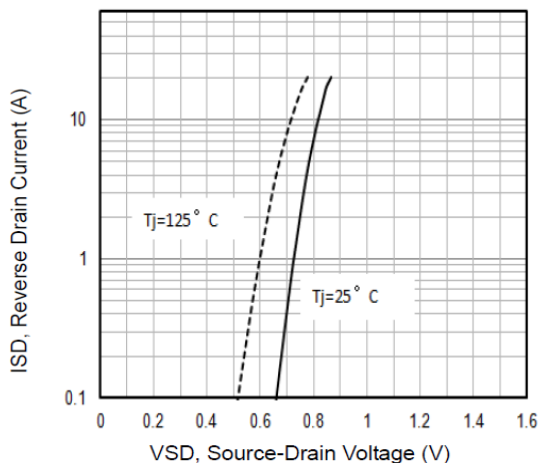
**Fig2.**  $V_{GS(TH)}$  Gate-Source Voltage Vs.  $T_j$



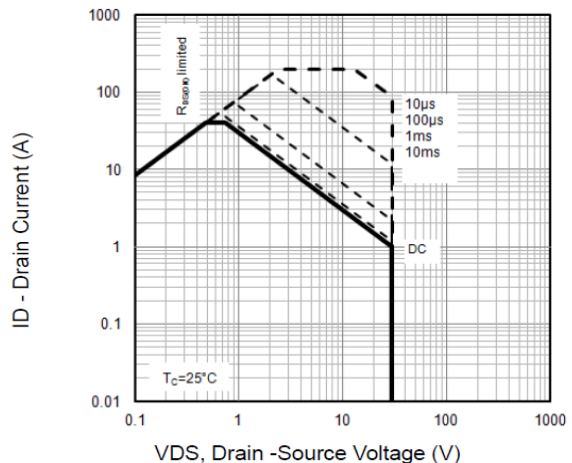
**Fig3.** Typical Transfer Characteristics



**Fig4.** Normalized On-Resistance Vs.  $T_j$



**Fig5.** Typical Source-Drain Diode Forward Voltage



**Fig6.** Maximum Safe Operating Area

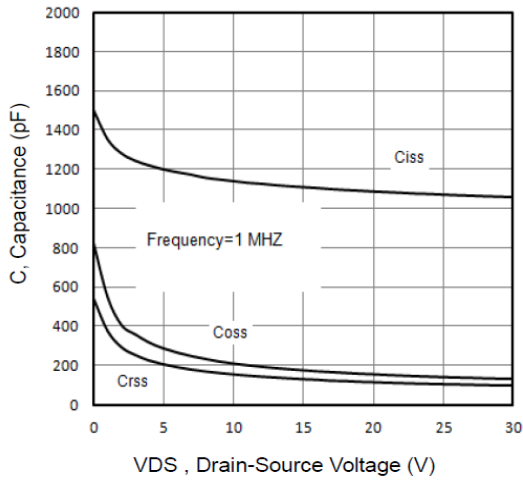


Fig7. Typical Capacitance Vs. Drain-Source Voltage

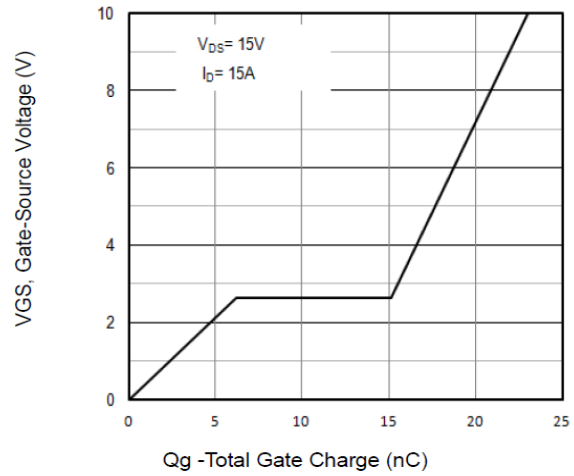


Fig8. Typical Gate Charge Vs. Gate-Source Voltage

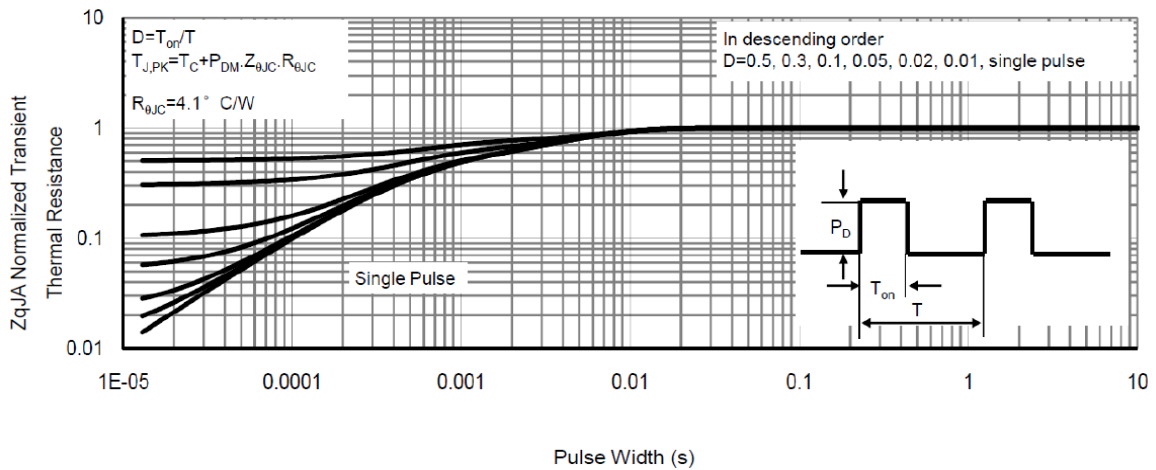


Fig9. Normalized Maximum Transient Thermal Impedance

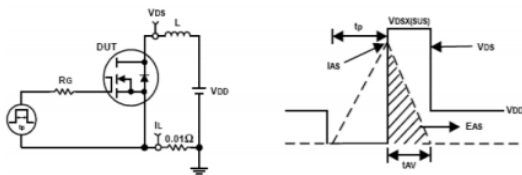


Fig10. Unclamped Inductive Test Circuit and waveforms

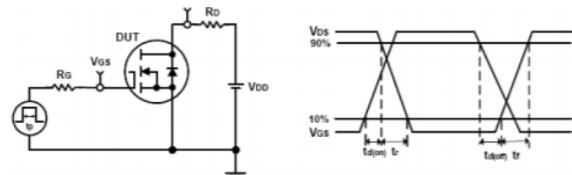
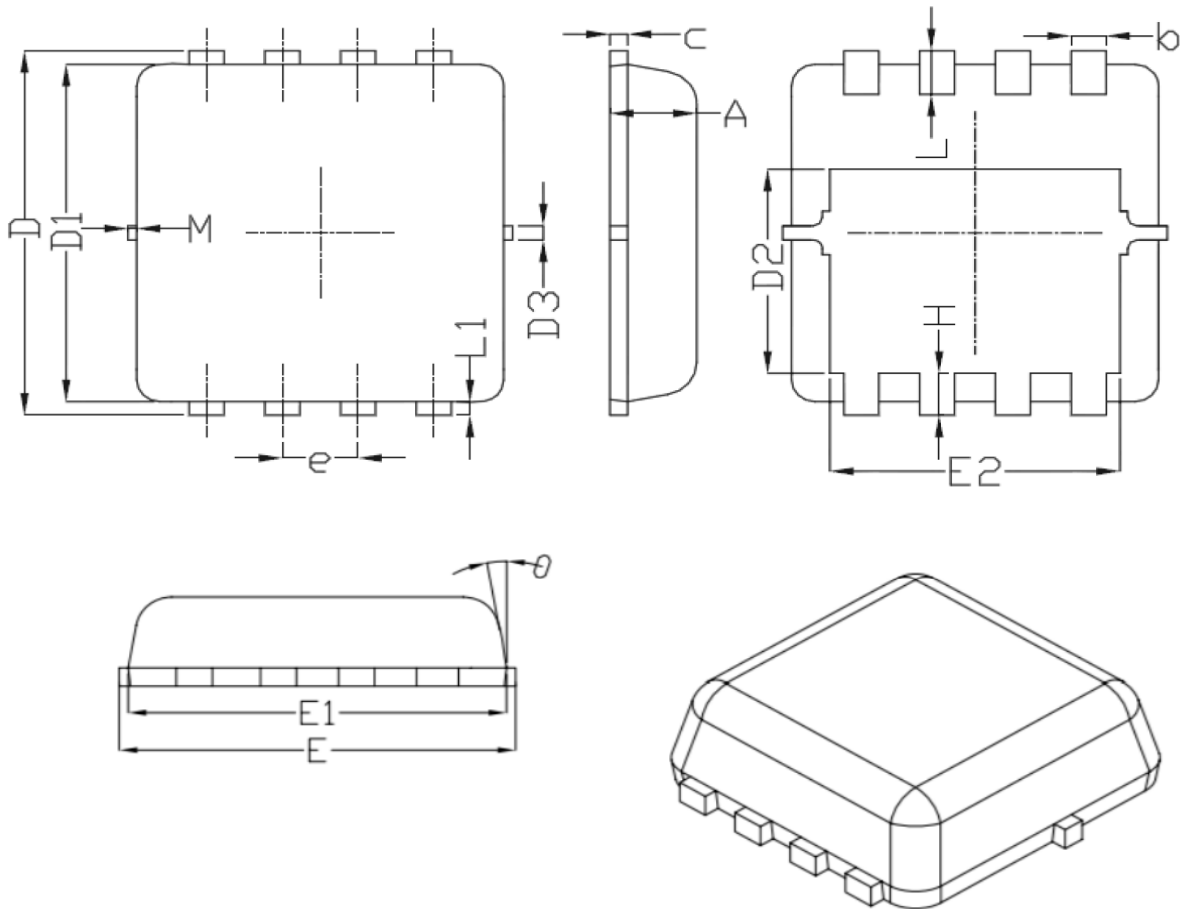


Fig11. Switching Time Test Circuit and waveforms

### Dual PDFN3333 Package Outline Data



Symbol	Dimensions (unit : mm)		
	Min	TYP	Max
A	0.70	0.75	0.8
b	0.25	0.30	0.35
c	0.10	0.15	0.25
D	3.25	3.35	3.45
D1	3.00	3.10	3.2
D2	1.78	1.88	1.98
D3	-	0.13	-
E	3.20	3.30	3.4
E1	3.00	3.15	3.2
E2	2.39	2.49	2.59
e	0.65BSC		
H	0.30	0.39	0.5
L	0.30	0.40	0.5
L1	-	0.13	-
K	0.30	-	-
$\theta$	-	10 <sup>0</sup>	12 <sup>0</sup>
M	*	*	0.15